



US00D679139S

(12) **United States Design Patent**  
**Valera**

(10) **Patent No.:** **US D679,139 S**

(45) **Date of Patent:** **\*\* Apr. 2, 2013**

(54) **PLATE APPARATUS FOR MINI CAKE MAKING DEVICE**

(76) Inventor: **Diego Valera**, Miami, FL (US)

(\*\*) Term: **14 Years**

(21) Appl. No.: **29/431,970**

(22) Filed: **Sep. 12, 2012**

(51) **LOC (9) Cl.** ..... **07-02**

(52) **U.S. Cl.** ..... **D7/409; D7/352; D7/357; D7/362**

(58) **Field of Classification Search** ..... D7/323, D7/329-331, 337, 339, 346-347, 350.1-350.4, D7/352-367, 391, 393, 395, 402, 409-410, D7/538, 542, 672-674; 99/324-325, 331-332, 99/337-349, 358, 369-376, 380, 389, 400-418, 99/422, 425, 444-446, 483; 126/37 R, 261, 126/378.1; 206/501-505, 507-508; 219/386, 219/400, 405, 429-442, 450.1, 452.13, 620-624, 219/725, 730-735; 220/23.8, 315, 573.1-573.5, 220/912; 249/119; 426/438, 441, 549

See application file for complete search history.

(56) **References Cited**

**U.S. PATENT DOCUMENTS**

323,887	A	*	8/1885	Rutter	.....	249/119
608,144	A	*	7/1898	Porter	.....	220/23.8
1,587,788	A	*	6/1926	Morley	.....	99/376
1,663,719	A	*	3/1928	Morley	.....	426/549
3,696,734	A	*	10/1972	Beasley et al.	.....	99/331
3,719,507	A	*	3/1973	Bardeau	.....	99/375
3,948,159	A	*	4/1976	Vigerstrom	.....	99/358
D262,425	S	*	12/1981	Thelander	.....	D7/357
D262,430	S	*	12/1981	Thelander	.....	D7/357
D275,925	S	*	10/1984	Bowen et al.	.....	D7/357
5,253,565	A	*	10/1993	Burton	.....	99/374
5,596,922	A	*	1/1997	Chan	.....	99/380

5,613,426	A	*	3/1997	Chan Gabbai	.....	99/375
D549,515	S	*	8/2007	Curtin et al.	.....	D7/352
D604,998	S	*	12/2009	Ablo	.....	D7/674
D642,420	S	*	8/2011	Lavy et al.	.....	D7/352
D643,243	S	*	8/2011	Harrod	.....	D7/352
D643,673	S	*	8/2011	Lavy et al.	.....	D7/352
D643,676	S	*	8/2011	Lavy et al.	.....	D7/364
D643,677	S	*	8/2011	Lavy et al.	.....	D7/364
D657,608	S	*	4/2012	Lavy et al.	.....	D7/352
D657,609	S	*	4/2012	Lavy et al.	.....	D7/352
D663,590	S	*	7/2012	Muspratt-Williams	.....	D7/674
D668,907	S	*	10/2012	Lavy et al.	.....	D7/352
D669,299	S	*	10/2012	Lavy et al.	.....	D7/352
D669,300	S	*	10/2012	Lavy et al.	.....	D7/352

\* cited by examiner

*Primary Examiner* — Ricky Pham

(74) *Attorney, Agent, or Firm* — Mark Terry

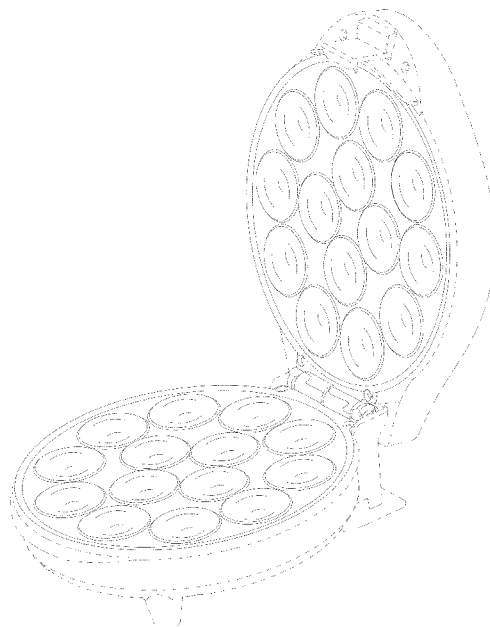
(57) **CLAIM**

The ornamental design for a plate apparatus for mini cake making device, as shown and described.

**DESCRIPTION**

FIG. 1 is a top view of a dual plate apparatus for a mini cake making device, showing the new design;  
FIG. 2 is a left side view thereof;  
FIG. 3 is a right side view thereof;  
FIG. 4 is a rear view thereof;  
FIG. 5 is a front view thereof;  
FIG. 6 is a side perspective view of the dual plate apparatus used in a mini cake making device, showing the new design; and,  
FIG. 7 is a top view of the dual plate apparatus used in a mini cake making device, showing the new design.  
The broken lines shown in the drawings are for illustrative purposes only and form no part of the claimed design.

**1 Claim, 5 Drawing Sheets**



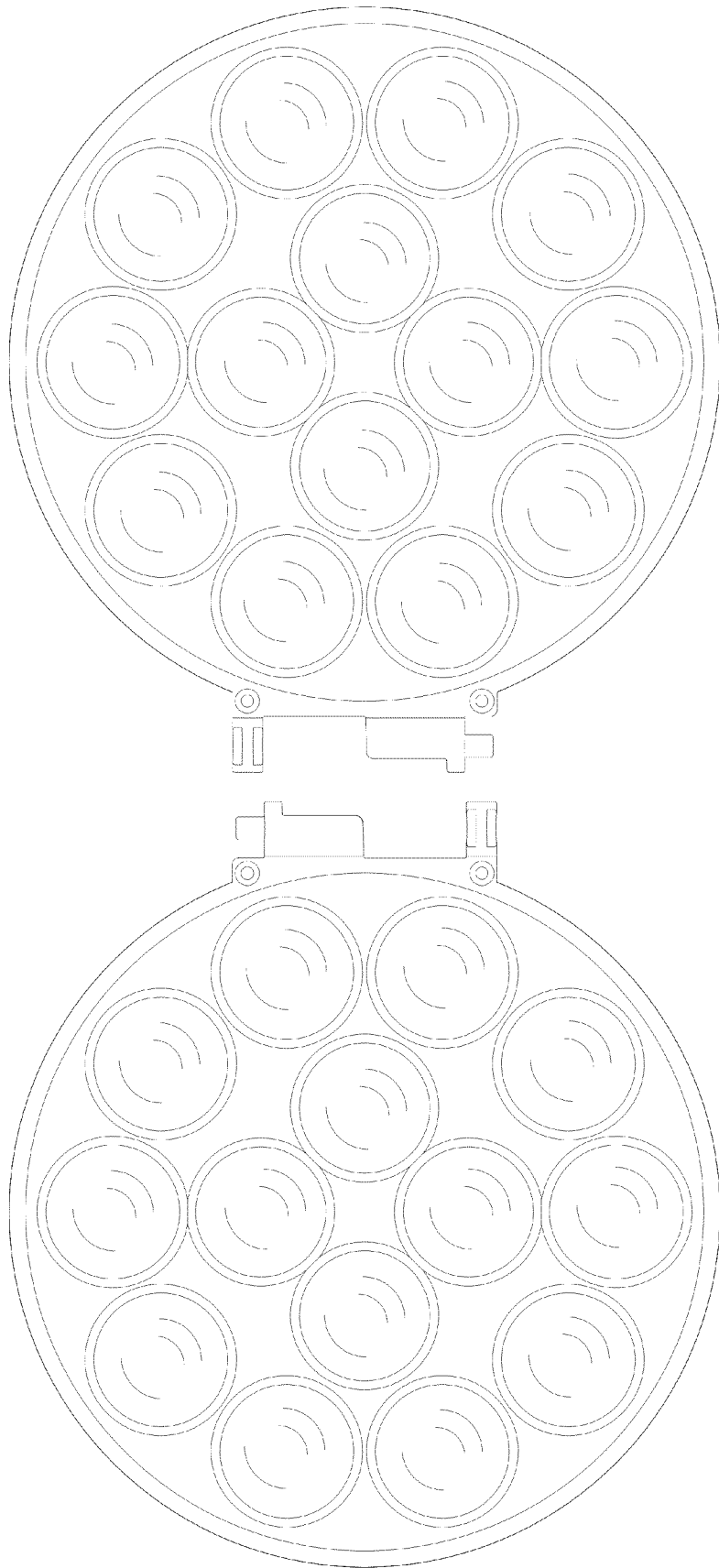


Fig. 1

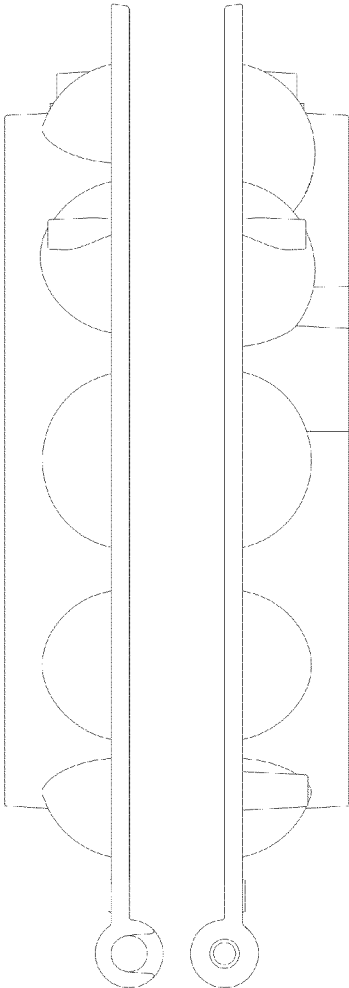


Fig. 2

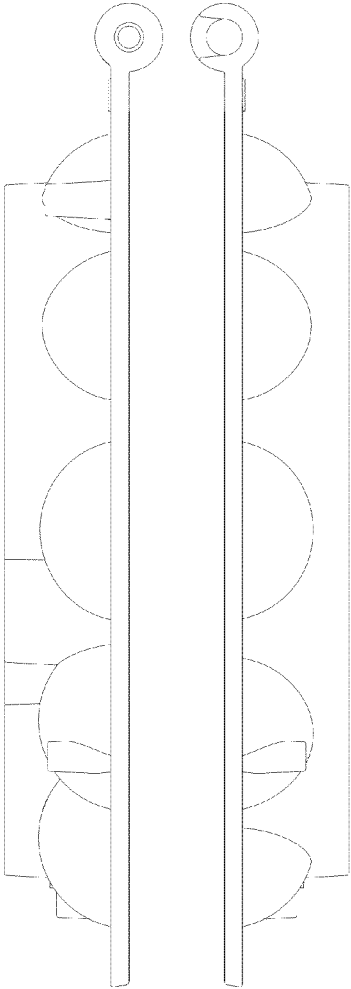


Fig. 3

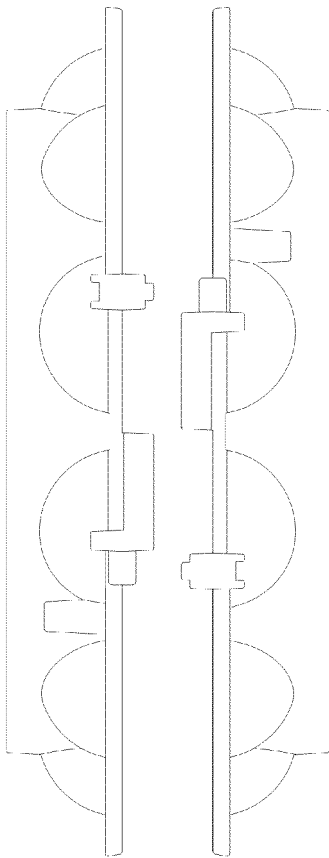


Fig. 4

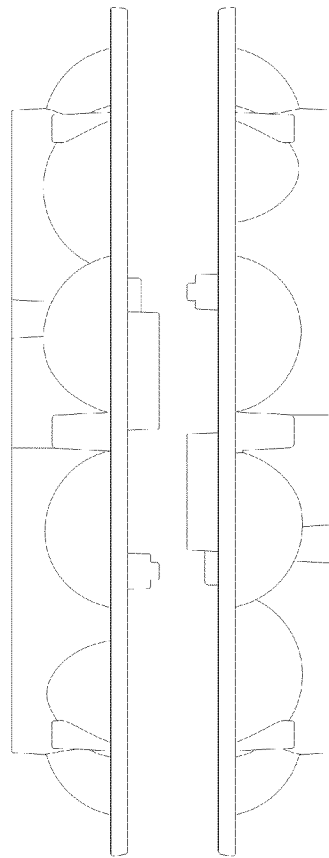


Fig. 5

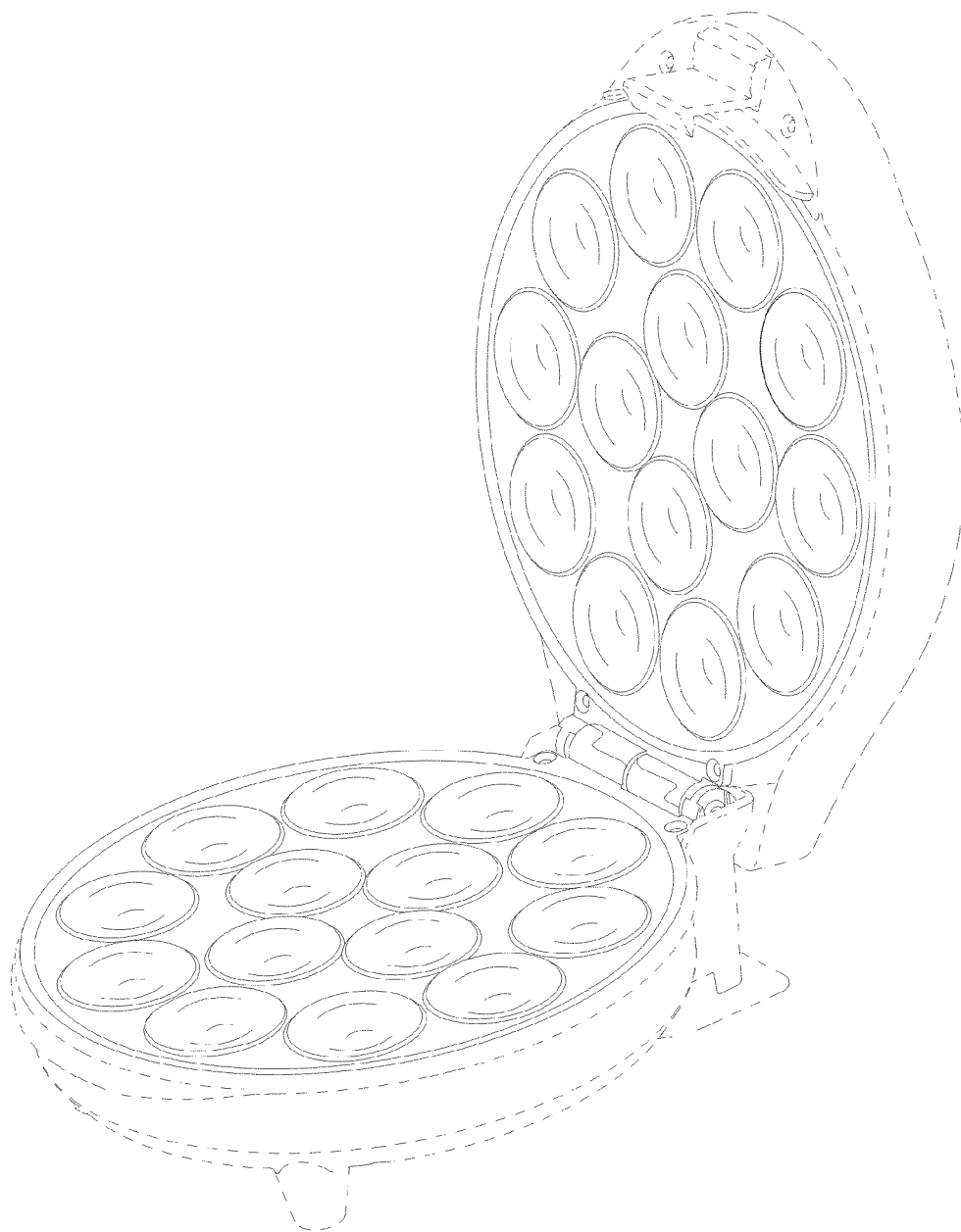


Fig. 6

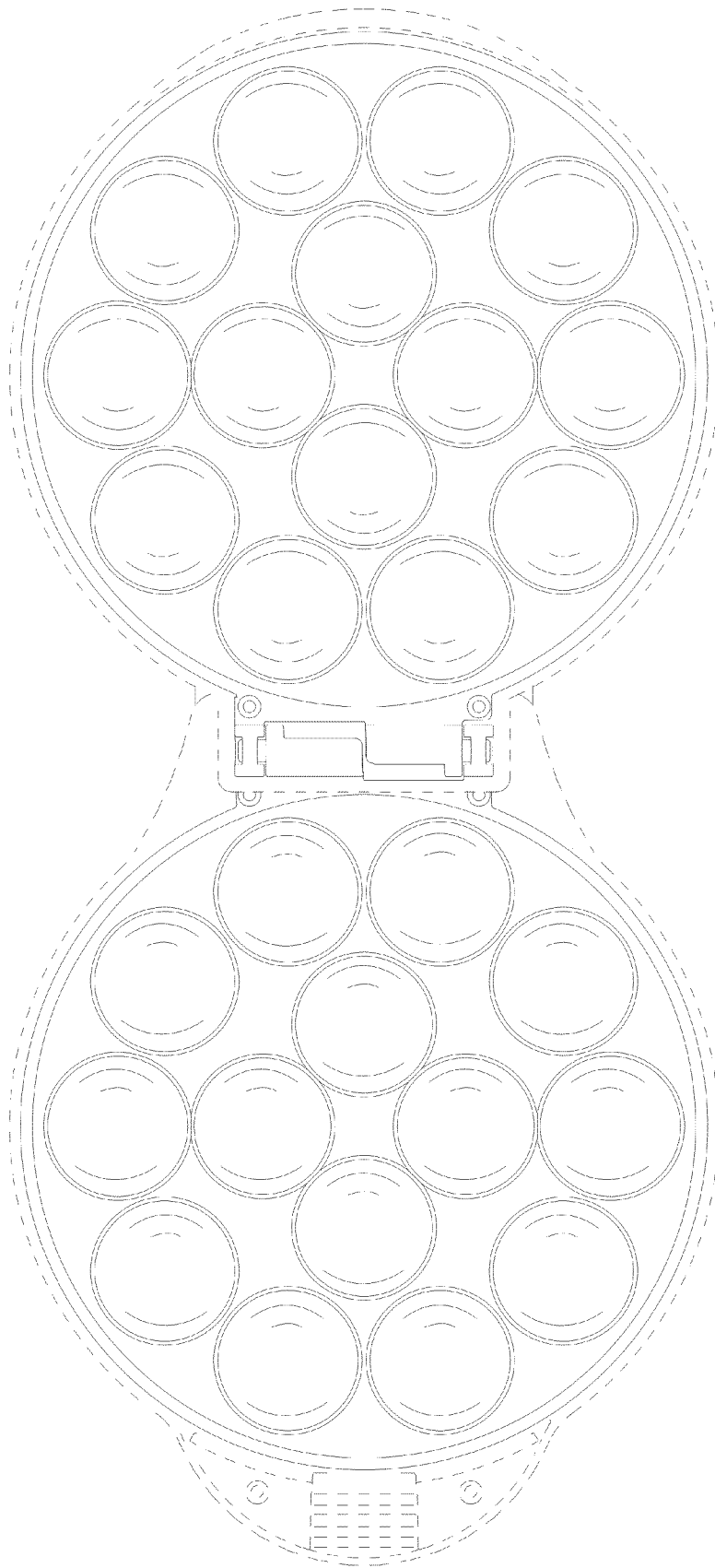


Fig. 7